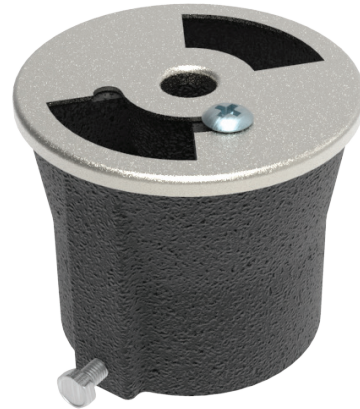
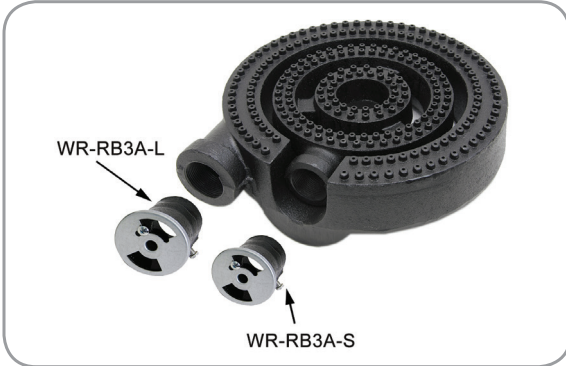




3 RING BURNER VALVE WITH AIR SHUTTER

Features

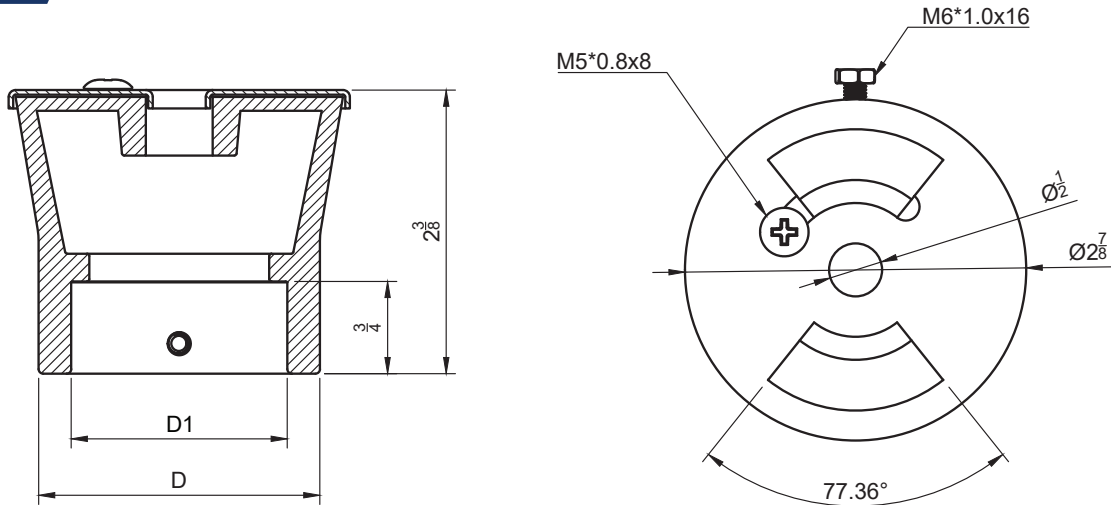
- Control air flow
- Individual air shutoff



Description 3 Ring Burner Valve with Air Shutter

This air shutter fits into the tip of your burner and is built to replace a damaged component in your GSW wok ranges. This air shutter controls the primary air supply to the burner.

Plan View WR-RB3A-L



Order No.	For Pipe Size	D (in)	D1 (in)	G.W. (lb)
WR-RB3A-S	1-1/4" Pipe	2-1/4	1-11/16	1.14
WR-RB3A-L	1-1/2" Pipe	2-3/8	1-15/16	1.16