



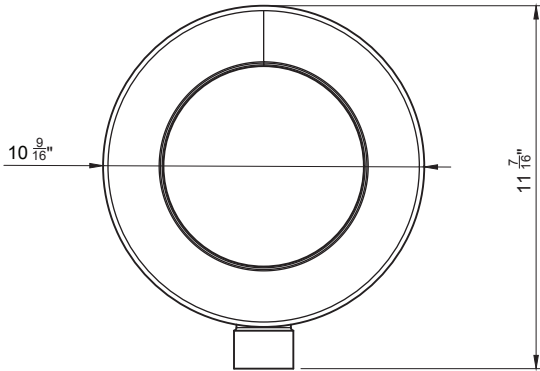
Item No.: \_\_\_\_\_

Order No.: \_\_\_\_\_

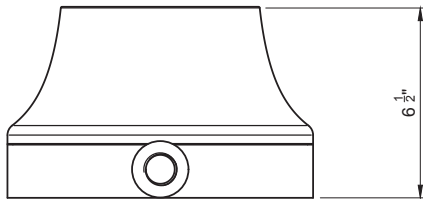
QTY: \_\_\_\_\_ Date: \_\_\_\_\_

## WOK RANGE - SPEED BURNER - WR-JBC10

Top



Front



### Description

- NG/LP: Natural Gas/ Liquid Propane Gas
- 20 Tips
- 3/4" NPT Inlet

Order No.	Description	BTU/HR	G. W. (lbs)	Qty.
WR-JBC10 NG/LP	Speed Burner w/ Cap -20 Tip 10" Dia. 3/4" Pipe	160,000	31	2