



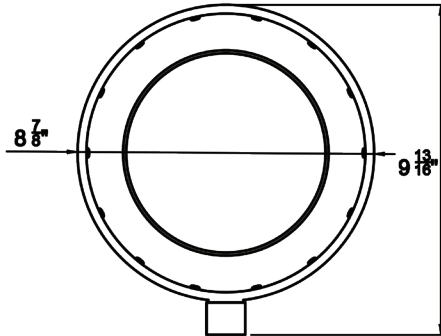
Item No.: _____

Order No.: _____

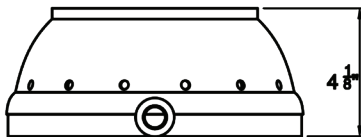
QTY: _____ Date: _____

WOK RANGE - SPEED BURNER - WR-JBC9

Top



Front



Description

- NG/LP: Natural Gas/ Liquid Propane Gas
- 15 Tips
- 1/2" NPT Inlet

Order No.	Description	BTU/HR	G. W. (lbs)	Qty.
WR-JBC9 NG/LP	Speed Burner w/ Cap -15 Tip 9" Dia. 1/2" Pipe	130,000	17	2