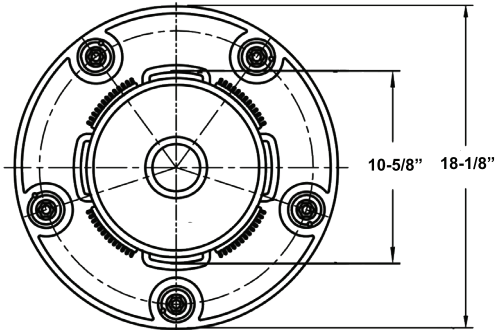




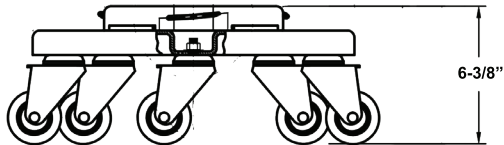
Item No.: _____
 Order No.: _____
 QTY: _____ Date: _____

SPLASH GUARD HAND SINK WITH TOWEL & SOAP DISPENSER

Front



Side



Description:

- Provides easy mobility for round trash container (20, 32, 45, 55 Gallon)
- Locks onto container bottom
- Comes with five 3-1/2" stem casters

Order No.	Dia. x H (in)	Load Cap. (lbs)	G. W. (lbs)	Qty.
C-TD18	18 x 6-1/4	300	45	5