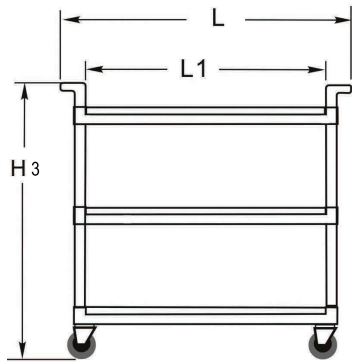




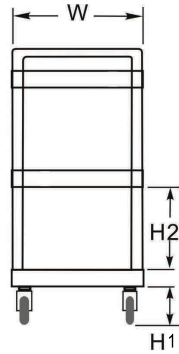
Item No.: _____
Order No.: _____
QTY: _____ Date: _____

DURABLE PLASTIC CARTS

Front



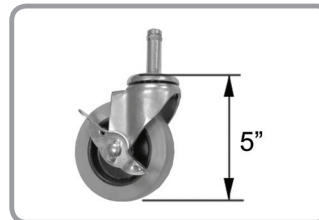
Side



Description:

- Functional dining room bussing cart
- Four side upturn
- Easy to clean and quiet to use
- Grey color with aluminum uprights
- Shipped knock-down and easy to assemble
- 5" Stem quiet easy rolling casters

Replacement Caster:



KS 5141
(w/ side brake)

Order No.	W x L x H	Overall Dimension (in)			Load Cap. (lbs)	G. W. (lbs)
		L1	H1	H2		
C-23WM	16-1/4 x 33-1/4 x 40	25-1/2	5	12	150	17
C-23WL	19-1/2 x 41 x 45-1/2	31	5	13-1/2	200	25