



Item No.: _____
 Order No.: _____
 Qty: _____ Date: _____

ECONOMIC DUTY FOOD CART

Features

- Ample 8-1/2 to 10-1/2" clearance between two shelves
- Light weight easy to move around
- Great for transporting food and supplies
- Ideal for restaurants, offices, hotels, warehouses, and more
- Shipped knockdown

Replacement Caster:



KP5112
(5" tall with brake)

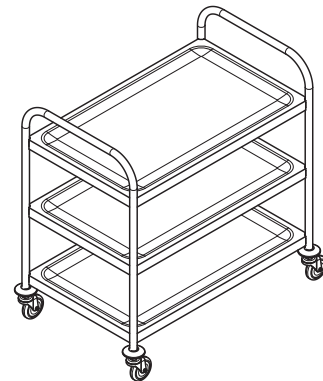
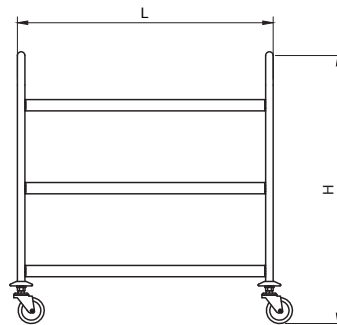
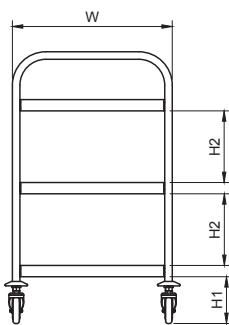


Description Economic Duty Food Cart

This economic food cart provides a wide range of tasks, including transporting food, dishes, or janitorial supplies. This cart is very light weight and beautiful and very easy to clean. Sized to carry large loads, this cart is perfect for transporting a variety of equipment and supplies.

The rounded corners will help to keep walls from getting damaged. The easy to grip, ergonomically designed rounded push handles make this cart easy to maneuver and move from one location to another. It is great for schools, hotels, restaurants, and more, this cart will be a handy, practical addition to any establishment!

Plan View C-23x



Order No.	W x L x H (in)	H1	H2	Load Cap. (lbs)	G. W. (lbs)
C-23S	15-3/4 x 27-3/4 x 33-1/4	5	8-1/2	150	18
C-23M	18 x 32 x 33-1/2	5	9	190	22
C-23L	21 x 33-3/4 x 37-1/2	5	10-1/2	230	29
C-23KW	21 x 33-3/4 x 37-1/2	5	10-1/2	230	29