



Item No.: _____
Order No.: _____
Qty: _____ Date: _____

4" REAR UPTRURN ENCLOSED CABINET - HINGED DOOR

Features

- Machine mold with manual welding
- 18 gauge stainless steel
- 1-1/2" adjustable bullet foot
- All cabinets 72" and up have 6 legs
- Adjustable shelf
- 4" rear upturn

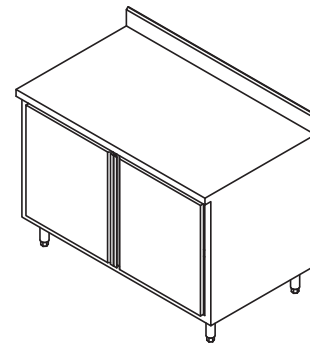
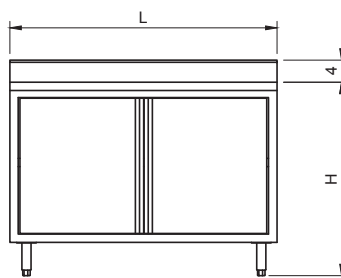
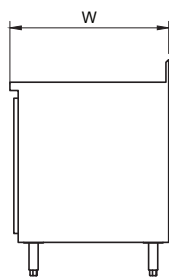


Description 4" Rear Upturn Enclosed Cabinet - Hinged Door

This enclosed cabinet with 4" rear upturn combines a durable work surface with adjustable mid-shelf to keep mixing bowls, containers, prep supplies or even small kitchen appliances close at hand. It features a hinged door design that keeps contents safe and enclosed.

The stainless steel top provides superior corrosion resistance and durability you can count on. The 1-5/8" diameter stainless steel legs with adjustable bullet feet provide support for the whole cabinet. This added additional storage space is perfect for your commercial work setting!

Plan View CTD-P3048H



Order No.	W x L x H (in)	G. W. (lbs)
CTD-P2436H	24 x 36 x 35	117
CTD-P2448H	24 x 48 x 35	143
CTD-P2460H	24 x 60 x 35	171
CTD-P2472H	24 x 72 x 35	234
CTD-P3036H	30 x 36 x 35	125
CTD-P3048H	30 x 48 x 35	150
CTD-P3060H	30 x 60 x 35	176
CTD-P3072H	30 x 72 x 35	250