

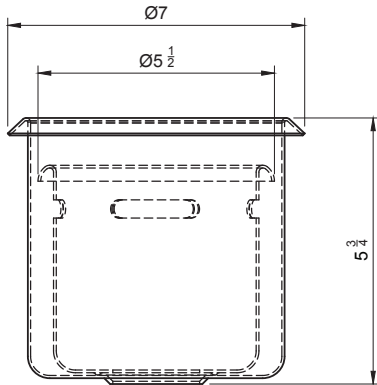


Item No.: _____
Order No.: _____
QTY: _____ Date: _____

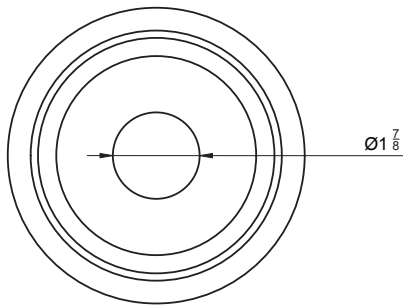
ROUND DIPPERWELL SINKS



Front



Top



Description:

- Drop-in type
- Mini basket strainer w/ 1-7/8" sink opening
- 1-1/2 NPS drain outlet

Replacement Faucet:



AA-503G



AA-141A

Order No.	Dia. (in)	Height (in)	G. W. (lbs)	Qty.
HS-DSRO	7	5-3/4	3	12