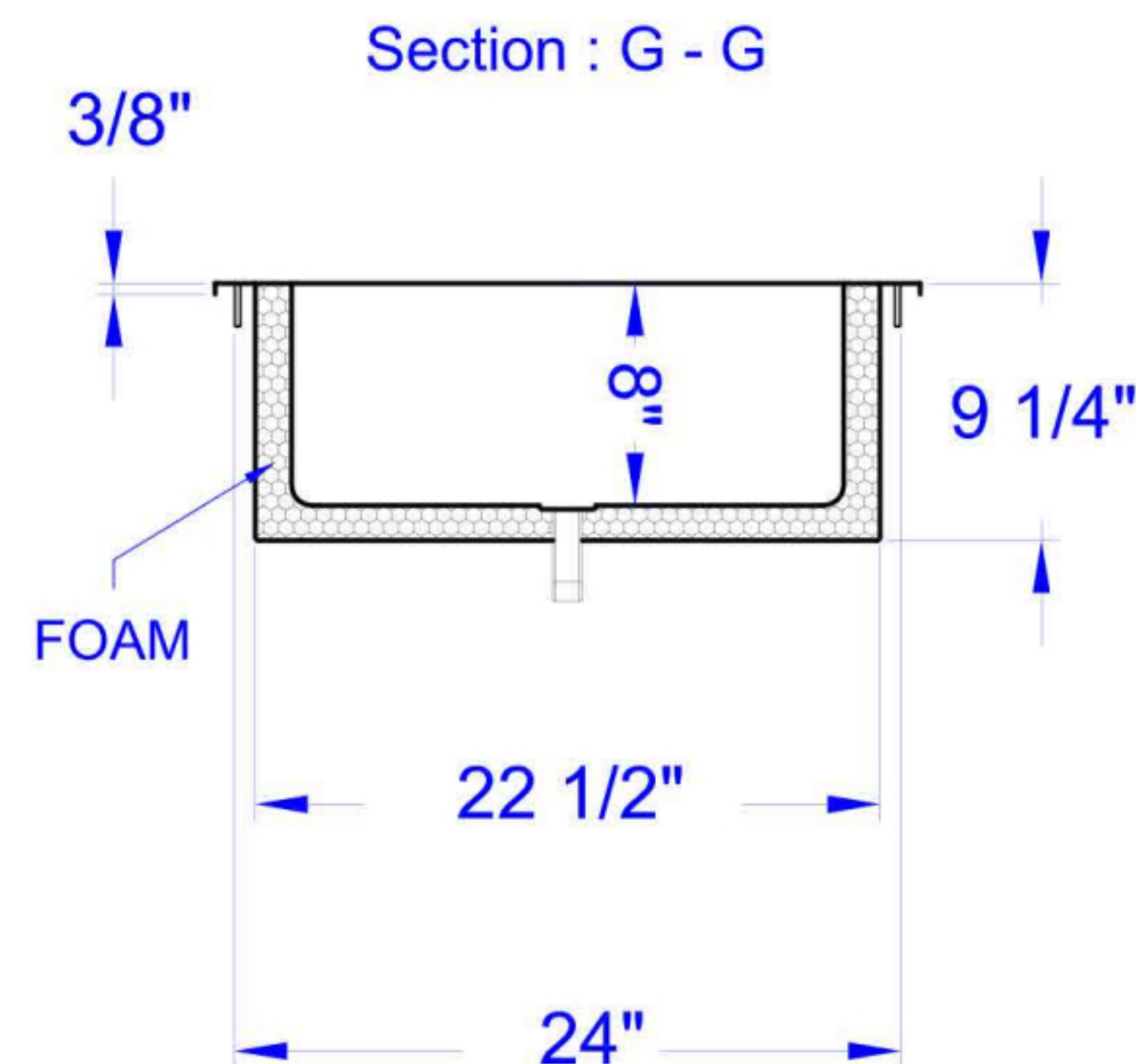
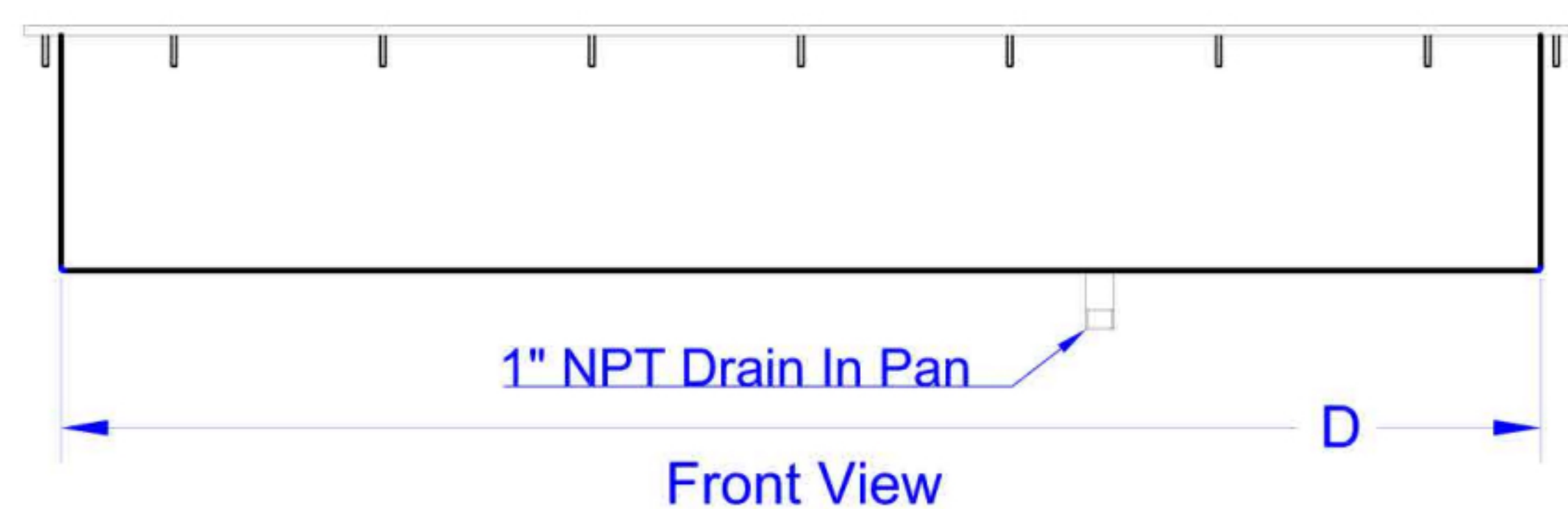
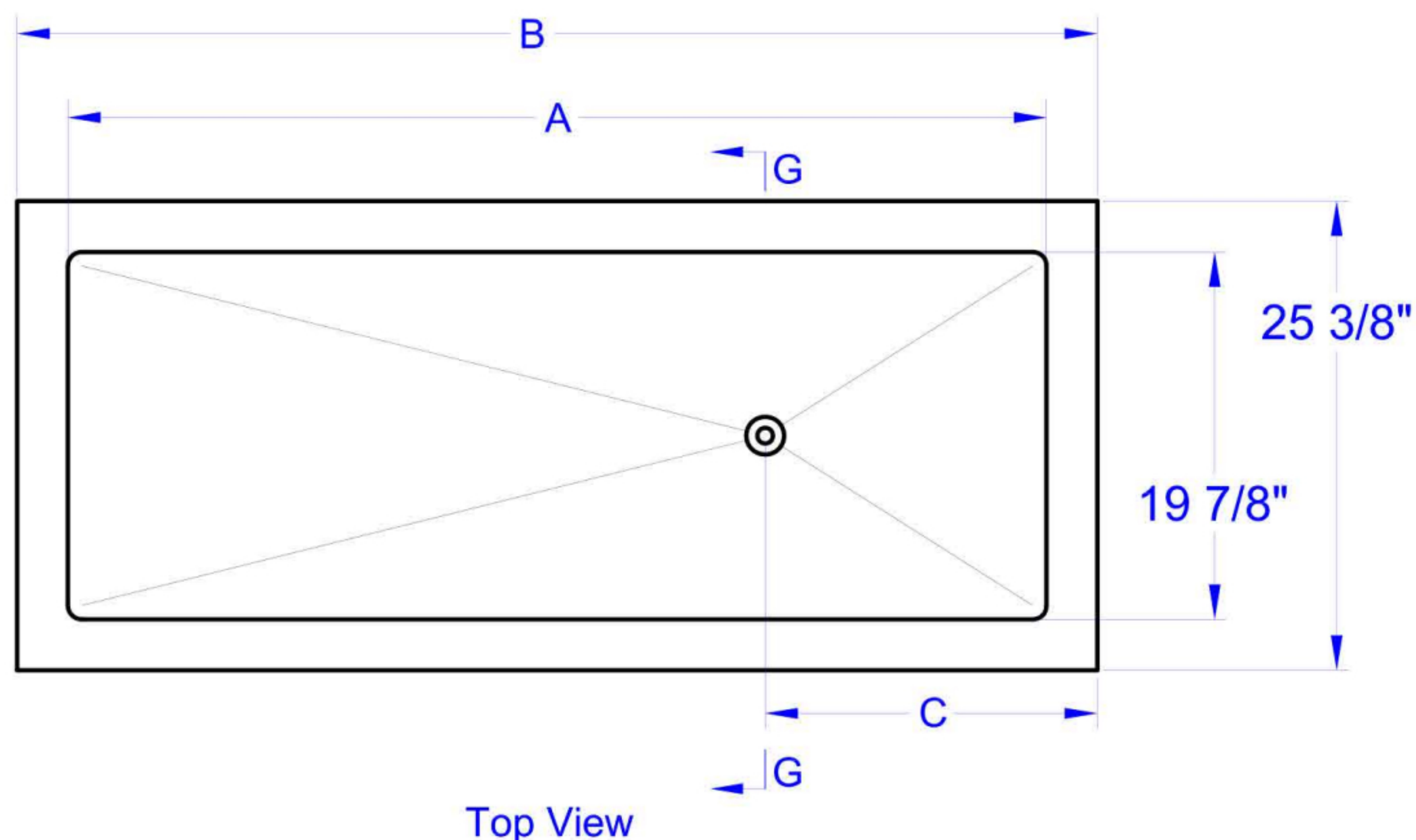


Ice Cool Cold Pans

- 304 stainless steel interior tub.
- Exterior housing galvanized steel.
- Unit insulated with high density closed cell polyurethane.
- ETL certified for food service application.



G.S.W.



Order No.	A		B		C		D		PAN	Cut-Out Size
	INCHES	MM	INCHES	MM	INCHES	MM	INCHES	MM		
IP1826	11-7/8"	302	17-3/8"	442	4"	102	14-5/8"	372	1	24-1/2" x 16-5/16"
IP3126	25-1/2"	648	31"	788	6"	152	28-1/4"	718	2	24-1/2" x 30"
IP4526	39-1/4"	997	44-3/4"	1137	12"	305	42"	1067	3	24-1/2" x 43-3/4"
IP5926	53"	1346	58-1/2"	1486	18"	457	55-3/4"	1416	4	24-1/2" x 57-1/2"
IP7226	66-3/4"	1695	72-1/4"	1835	24"	610	69-1/2"	1765	5	24-1/2" x 71-1/4"
IP8626	80-1/2"	2045	86"	2184	30"	762	83-1/4"	2114	6	24-1/2" x 85"



Visit our website at
www.GSW-USA.com

4177 Rowland Ave., #B, El Monte, CA 91731
Tel.: (800) 897-5999, (626) 291-5599 Fax: (626)286-0133
E-mail: sales@gsw-usa.com

