



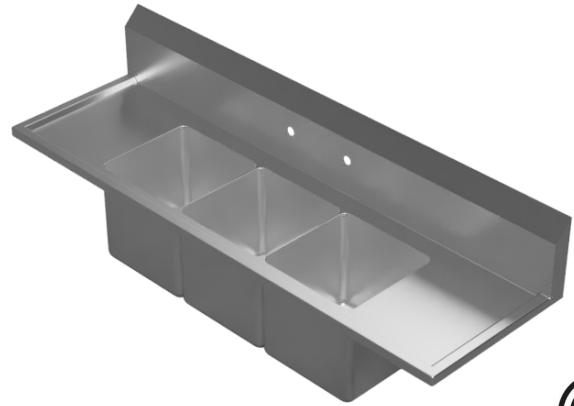
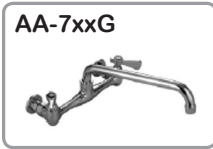
Item No.:	_____
Order No.:	_____
Qty:	_____ Date: _____

MARINE EDGE DROP-IN WALL MOUNT THREE COMPARTMENT SINKS

Features

- 18 gauge stainless steel
- Three tubs sink with two drain boards
- Marine edge drop-in style
- 8" wall mounted faucet holes
- All welded stainless steel construction
- Extra welded under tubs for longevity
- Strainers included, opening diameter 3-5/8"

Suggested Accessory:



Description

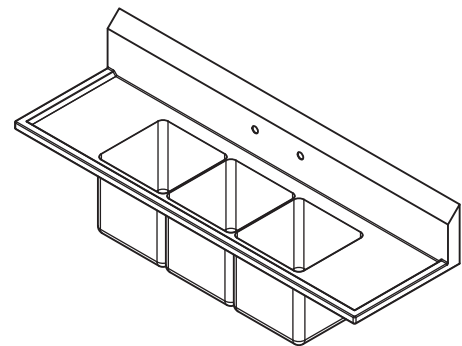
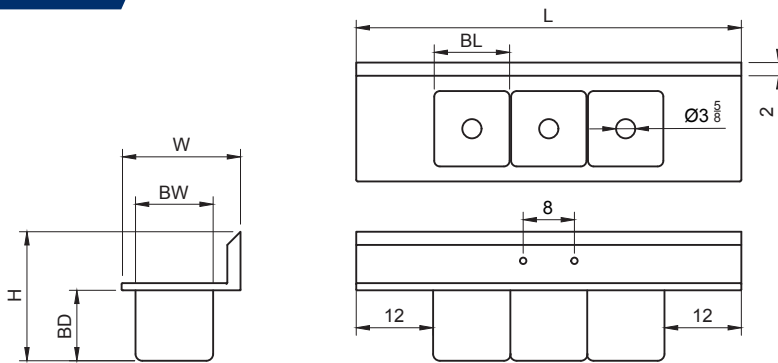
Marine Edge Drop-In Wall Mount Three Compart

This drop-in wall mount three compartment sink is designed for exceptional durability stainless steel construction. It is perfect addition to any commercial foodservice operation.

The 8" deck mounted swing spout faucet can be moved from left to right above the sink. A pair of 12" embossed and seamless drainboards can be used to let dishes dry or prevent water from spilling out of the sink, which reduces the potential for wet, slippery floors in the immediate area.

Plan View

SHxxxx3DWN



Order No.	Two Drainboards Length (in)	Ga	BW	BL	BD	W x L x H (in)	G. W. (lbs)
SH12123DWN	12	18	12	12	12	18-1/2 x 60 x 19-3/4	57
SH12143DWN	12	18	14	12	12	19-1/2 x 60 x 20	65