



Item No.: _____
 Order No.: _____
 Qty: _____ Date: _____

SPECIAL ONE COMPARTMENT MULTI-WASH SINK

Features

- Polished finish stainless steel
- Deep bowl accommodates large items
- Extra welded under tubs for longevity
- Number & size of faucet holes per customer request

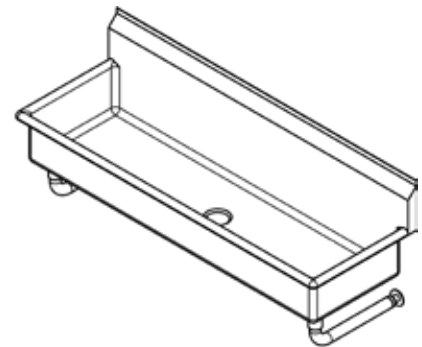
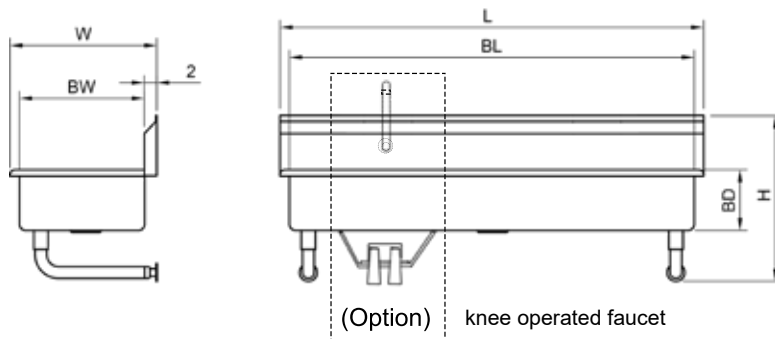
Suggested Accessory:



Description Special One Compartment Multi-Wash Sink

This special multi-wash sink compartment for accommodating a variety of items that need a quick wash or rinse in your business. Its durable construction provides stability to help ensure a long service life in most environments, and it's easy to maintain. The 8 3/4" backsplash keeps your walls dry. Number and size of faucet holes per customer request. Extra labor fee will be charged for knee operated faucet unit for welding.

Plan View ACE-MWS-1860



Order No.	Ga.	BW	BL	BD	W x L x H (in)	G. W. (lbs)
ACE-MWS-1836	18	14	33	8	17-1/2 x 36 x 28	30
ACE-MWS-1848	18	14	45	8	17-1/2 x 48 x 28	39
ACE-MWS-1860	18	14	57	8	17-1/2 x 60 x 28	48
ACE-MWS-1872	16	14	69	8	17-1/2 x 72 x 28	57