



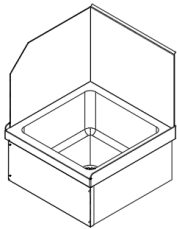
Item No.: \_\_\_\_\_  
 Order No.: \_\_\_\_\_  
 Qty: \_\_\_\_\_ Date: \_\_\_\_\_

**STAINLESS STEEL FLOOR MOUNTED MOP SINK SPLASH GUARD**

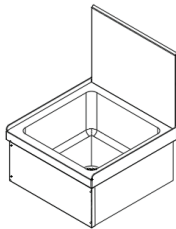
**Features**

- Polished finish stainless steel
- Detachable splash guards design
- Rolled edge on splash guards edge
- Easy assembly, no mounting hardware required

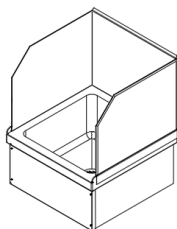
**Side & Back**  
(right or left side)



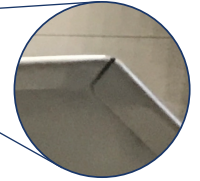
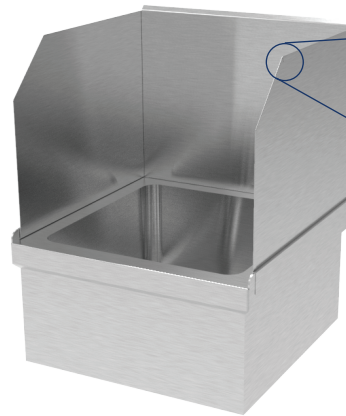
**Back**



**Three Sides**



**SE2424FM-SP**  
(Splash only)



Rollled edge



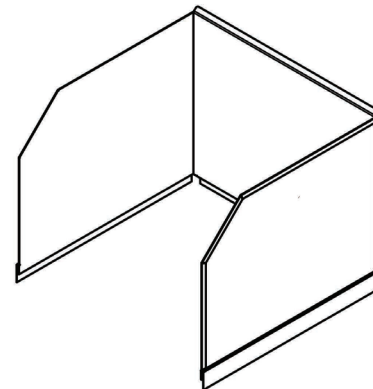
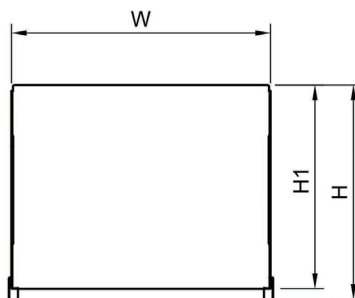
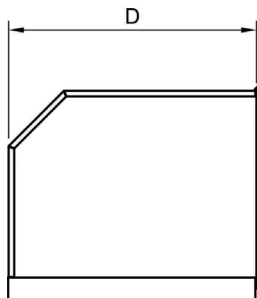
**Description**

**Stainless Steel Floor Mount Mop Sink Splash Guard**

The detachable stainless steel splash guard is an essential accessory for your **SE2024FM-UP** and **SE2424FM-UP** mop sinks. The splash mounts onto your mop sink to help maintain a safe and sanitary workplace by containing dangerous and unsightly spills. Use this splash guard to help contain water to protect walls and floor. You also have the option to convert this splash guard to be used as a single, corner, or 3-sided to match your needs.

**Plan View**

**SE2424FM-SP**



Order No.	D x W x H (in)	H1	For Mop Sink model	G. W. (lb)
SE2024FM-SP	18-1/2 x 19-1/2 x 19-1/2	18-1/2	SE2024FM-UP	20
SE2424FM-SP	22-1/2 x 23-1/2 x 19-1/2	18-1/2	SE2424FM-UP	21