



Item No.: _____

Order No.: _____

Qty: _____ Date: _____

THREE COMPARTMENT SINK WITH TWO DRAIN BOARDS

Features

- 16 or 18 gauge stainless steel
- Three tubs sink with two drain boards
- 8" wall mounted faucet holes
- Polished finish stainless steel
- Stainless steel legs with cross bracing
- Extra welded under tubs for longevity
- Strainers included, opening diameter 3-5/8"
(Except SE10143D strainer opening diameter 1-7/8")

Suggested Accessory:

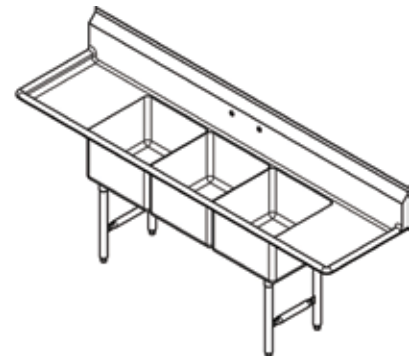
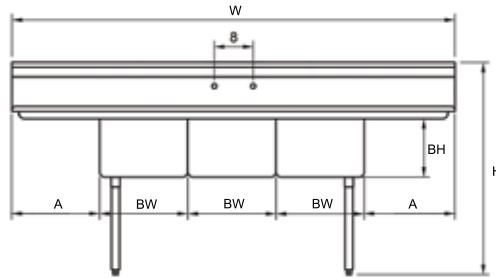
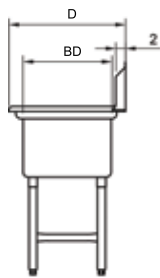
AA-7xxG



AA-8xxGS



Plan View



Order No.	Gauge	D x W x H (in)	BD x BW x BH (in)	A (in)	G. W. (lb)
SE10143D	18	21 x 54-3/8 x 41	14 x 10 x 10	12	48
SE15153D	18	21 x 75-3/8 x 45	15 x 15 x 10	15	70
SE16203D18	18	26 x 84-3/8 x 45	20 x 16 x 12	18	84
SE16203D24	18	26 x 96-3/8 x 45	20 x 16 x 12	24	88
SE18183D	18	24 x 90-3/8 x 45	18 x 18 x 12	18	91
SEE18183D	18	24 x 90-3/8 x 45	18 x 18 x 12	18	88
SE18183D20	18	24 x 94-3/8 x 45	18 x 18 x 12	20	93
SE18183D24	18	24 x 102-3/8 x 45	18 x 18 x 12	24	96
SH18243D	16	30 x 90-3/8 x 45	24 x 18 x 14	18	125
SHH18243D	16	30 x 90-3/8 x 45	24 x 18 x 14	18	123
SH18243D24	16	30 x 102-3/8 x 45	24 x 18 x 14	24	130
SH20203D	16	26 x 100-3/8 x 45	20 x 20 x 14	20	112
SH20243D	16	30 x 100-3/8 x 45	24 x 20 x 14	20	136
SHH20243D	16	30 x 100-3/8 x 45	24 x 20 x 14	20	132
SH20283D*	16	34 x 100-3/8 x 45	28 x 20 x 14	20	145
SHH20283D*	16	34 x 100-3/8 x 45	28 x 20 x 14	20	140
SH24243D*	16	30 x 120-3/8 x 45	24 x 24 x 14	24	155
SHH24243D*	16	30 x 120-3/8 x 45	24 x 24 x 14	24	151

Models marked with * have two sets of faucet holes.