



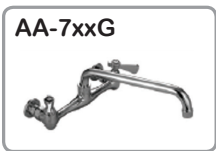
Item No.: _____
 Order No.: _____
 Qty: _____ Date: _____

THREE TUBS SINK WITH RIGHT DRAIN BOARD

Features

- 16 or 18 gauge stainless steel
- Three tubs sink with right drain board
- 8" wall mounted faucet holes
- Polished finish stainless steel
- Stainless steel legs with cross bracing
- Extra welded under tubs for longevity
- Strainers included, opening diameter 3-5/8"

Suggested Accessory:



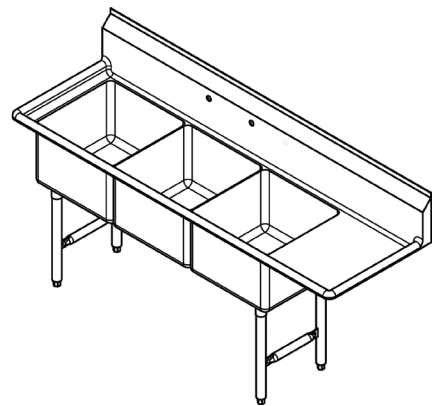
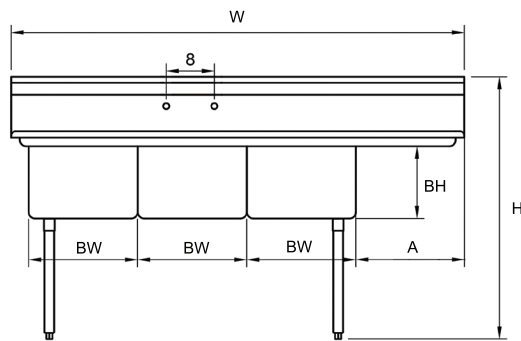
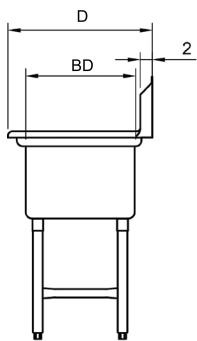
Description

Three Tubs Sink With Right Drain Board

This sink is corrosion-resistant, more durable and built to last. Plus, it's easy to maintain and can be wiped clean at the end of the day. With the added drainboard you can increase your drying space and declutter your drying racks and countertops. With the added work space, you can organize your kitchen and create an efficient work flow. Your staff will appreciate the extra room and health inspectors will applaud your attention to standard codes and regulations.

Plan View

Only **SH24243R** have 2 sets of faucet holes



Order No.	Gauge	D x W x H (in)	BD x BW x BH (in)	A (in)	G. W. (lb)
SE15153R	18	21 x 63-1/4 x 45	15 x 15 x 12	17	64
SE18183R	18	24 x 75-1/4 x 45	18 x 18 x 12	18	75
SH18243R	16	30 x 75-1/4 x 45	24 x 18 x 14	18	129
SH24243R	16	30 x 99-1/4 x 45	24 x 24 x 14	24	143