



Item No.:	_____
Order No.:	_____
Qty:	_____ Date: _____

## TWO TUBS SINK WITH LEFT DRAIN BOARD

### Features

- 16 or 18 gauge stainless steel
- Two tubs sink with left drain board
- 8" wall mounted faucet holes
- Polished finish stainless steel
- Stainless steel legs with cross bracing
- Extra welded under tubs for longevity
- Strainers included, opening diameter 3-5/8"

### Suggested Accessory:

AA-7xxG



AA-8xxG



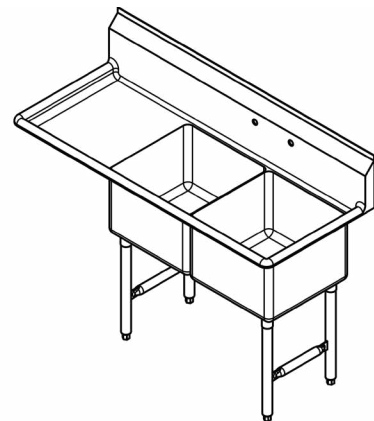
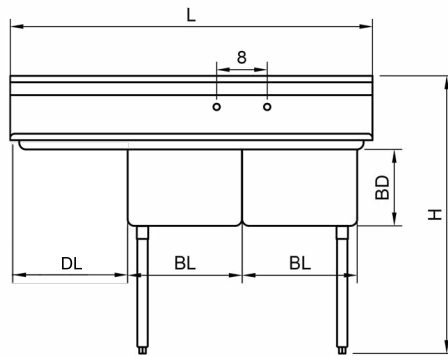
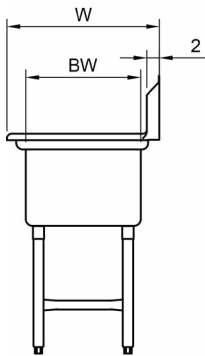
### Description

### Two Tubs Sink With Left Drain Board

This sink is corrosion-resistant, more durable and built to last. Plus, it's easy to maintain and can be wiped clean at the end of the day. With the added drainboard you can increase your drying space and declutter your drying racks and countertops. With the added work space, you can organize your kitchen and create an efficient work flow. Your staff will appreciate the extra room and health inspectors will applaud your attention to standard codes and regulations.

### Plan View

### SE15152L



Order No.	DL (in)	Ga.	BW	BL	BD	W x L x H (in)	G. W. (lbs)
SE15152L	15	18	15	15	12	21 x 48-1/4 x 45	51
SE18182L	18	18	18	18	12	24 x 57-1/4 x 45	57
SH24242L	24	16	24	24	14	30 x 75-1/4 x 45	101