

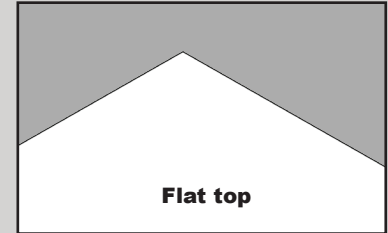


Item No.: \_\_\_\_\_  
 Order No.: \_\_\_\_\_  
 Qty: \_\_\_\_\_ Date: \_\_\_\_\_

## OPEN BASE WORK TABLE

### Features

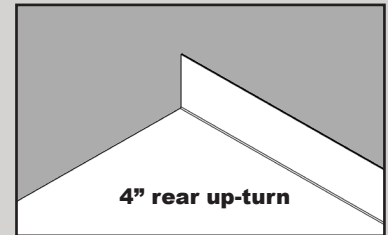
- Gussets are recessed into channel to reduce lateral movement
- Quality S/S unsurpassed strength and durability
- Top reinforced with welded-on hat channel
- Sound-deadened between top and channels
- Rolled edge construction
- Adjustable ABS bullet feet
- Shipped knock-down



**Flat top**

**WT-PxxxxB:**

16 Ga. 304 S/S Table Top  
 S/S 201 Legs  
 Aluminum Crossbracing

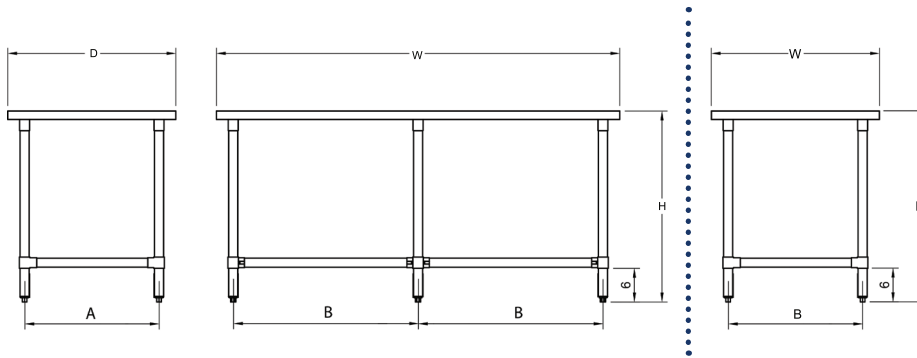


**4" rear up-turn**

**WT-PBxxxxB:**

16 Ga. 304 S/S Table Top  
 S/S 201 Legs  
 Aluminum Crossbracing

Work tables length above 72" have 6 legs, 60" and below have 4 legs



Item No.		D x W x H (in)	A (in)	B (in)	Load Cap. (lb)	Approx. Weight (lb)
Flat top	4" Rear Upturn					
WT-P2424B	WT-PB2424B	24 x 24 x 35	18-1/8	17-1/8	260	31
WT-P2430B	WT-PB2430B	24 x 30 x 35	18-1/8	23-1/8	320	37
WT-P2436B	WT-PB2436B	24 x 36 x 35	18-1/8	29-1/8	350	43
WT-P2448B	WT-PB2448B	24 x 48 x 35	18-1/8	41-1/8	400	54
WT-P2460B	WT-PB2460B	24 x 60 x 35	18-1/8	53-1/8	450	71
WT-P2472B	WT-PB2472B	24 x 72 x 35	18-1/8	32-1/2	420	90
WT-P2484B	WT-PB2484B	24 x 84 x 35	18-1/8	38-1/2	420	100
WT-P2496B	WT-PB2496B	24 x 96 x 35	18-1/8	44-1/2	400	110
WT-P3012B	WT-PB3012B	30 x 12 x 35	24-1/8	5-1/8	195	23
WT-P3018B	WT-PB3018B	30 x 18 x 35	24-1/8	11-1/8	230	30
WT-P3024B	WT-PB3024B	30 x 24 x 35	24-1/8	17-1/8	390	36
WT-P3030B	WT-PB3030B	30 x 30 x 35	24-1/8	23-1/8	460	42
WT-P3036B	WT-PB3036B	30 x 36 x 35	24-1/8	29-1/8	420	49
WT-P3048B	WT-PB3048B	30 x 48 x 35	24-1/8	41-1/8	480	65
WT-P3060B	WT-PB3060B	30 x 60 x 35	24-1/8	53-1/8	540	80
WT-P3072B	WT-PB3072B	30 x 72 x 35	24-1/8	32-1/2	500	98
WT-P3084B	WT-PB3084B	30 x 84 x 35	24-1/8	38-1/2	500	115
WT-P3096B	WT-PB3096B	30 x 96 x 35	24-1/8	44-1/2	480	125