



Item No.: _____
 Order No.: _____
 Qty: _____ Date: _____

STAINLESS STEEL MOBILE HAND SINK

Features

- Convenience for indoor and outdoor sanitation
- Steady water temperature for all season (100°F)
- GFCI electrical safety
- Stainless steel construction w/ brake casters
- 20 gallon fresh water & 21 gallon waste water tanks
- Soap and paper towel dispenser included
- Bult in trash can

Replacement Parts:



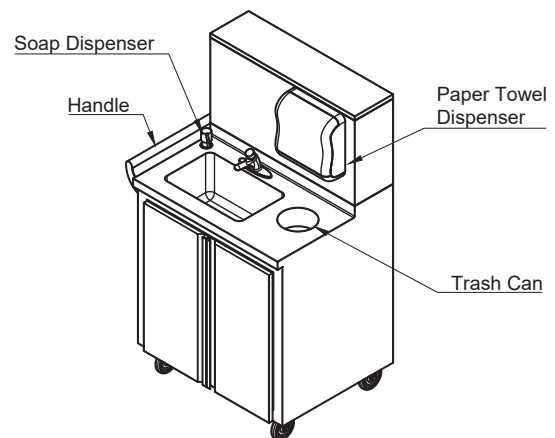
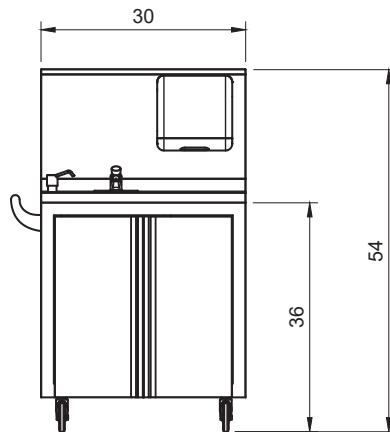
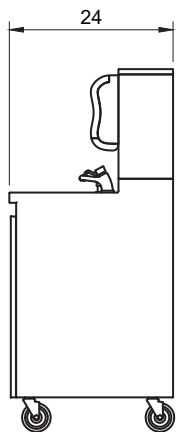
Description

Stainless Steel Mobile Hand Sink

The GSW mobile hand sink is a great way to allow employees or customers to wash their hands when you're nowhere near a water hookup! Once filled, all you need is a 120V electrical connection! The 20 gallon fresh water tanks and 21 gallon waste water tanks provide approximately 100 hand washings per fill. It features a water heater that heats up water in 10-15 minutes, so you can run either cold or hot (up to 120 degrees Fahrenheit) water to the faucet. These tanks are easy to insert and remove for filling and emptying.

Plan View

HS-M3024



Order No.	W x L x H (in)	Sink Bowl Size (in)	Tank Size	Volt	Watt	G. W. (lbs)	Qty.
HS-M3024	24 x 30 x 54	10 x 14 x 8	20 gallons	120	800	177	1