



Item No.: _____
 Order No.: _____
 Qty: _____ Date: _____

DROP-IN GLASS FILLING STATION

Features

- 1/2" NPT male inlet; 1 1/4" drain
- 18 gauge stainless steel drip pan
- Single sheet seamless finish
- 8-1/2" clearance glass filler
- Sink bowl size: 9" x 9" (**AA-HS1214**)
Sink bowl size: 10" x 4-1/2" (**AA-HS-1311**)

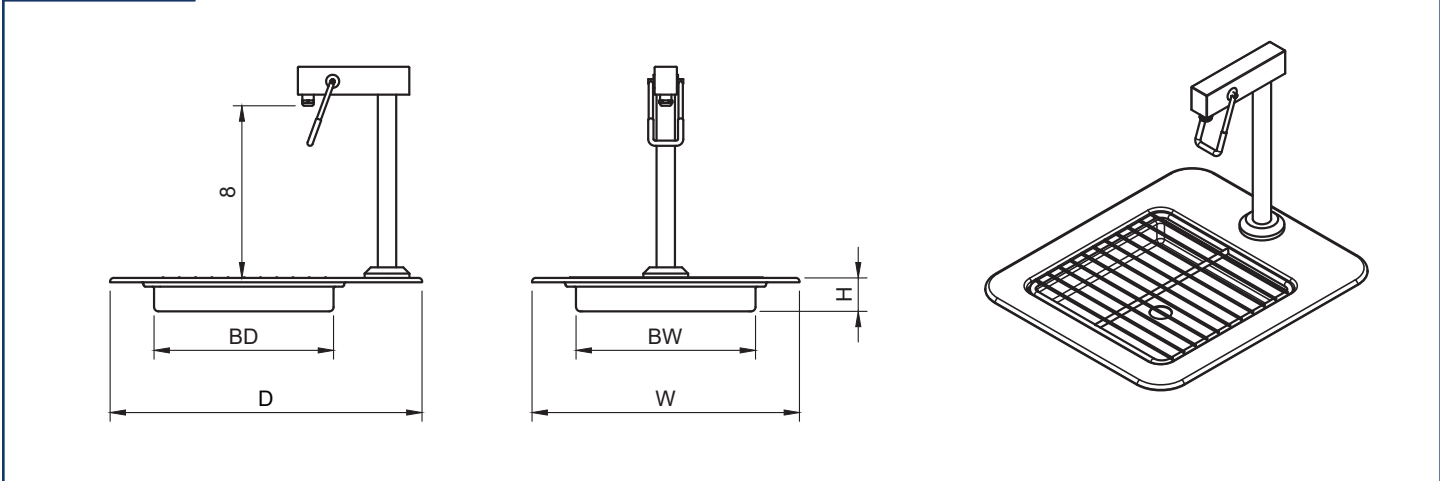
Included Item:



Description Drop-In Glass Filling Station

Having a strategically-placed water fill station is a great way to increase efficiency in your business. This water station features a durable drip pan made of a single sheet of 18 gauge stainless steel for a seamless finish. To easily fill glasses, this station includes a push back glass filler with a clearance of 12". It immediately lets employees know that this is where they should go to fill customers' water glasses.

Plan View AA-HS1214



Item No.	D x W x H (in)	BD x BW (in)	Cut-Out Size (in)	G. W. (lb.)
AA-HS1214	12 x 14 x 3	9 x 9	11 x 13	4.5
AA-HS1311	12-5/8 x 10-5/8 x 4	10 x 4-1/2	10-1/2 x 5	4