



Item No.: _____
 Order No.: _____
 Qty: _____ Date: _____

DISH RACK DOLLY WITH HANDLE

Features

- Single stack rack dolly
- Stainless steel construction
- Designed for 20" x 20" glass racks
- Platform design with pushhandle
- Glass rack not included

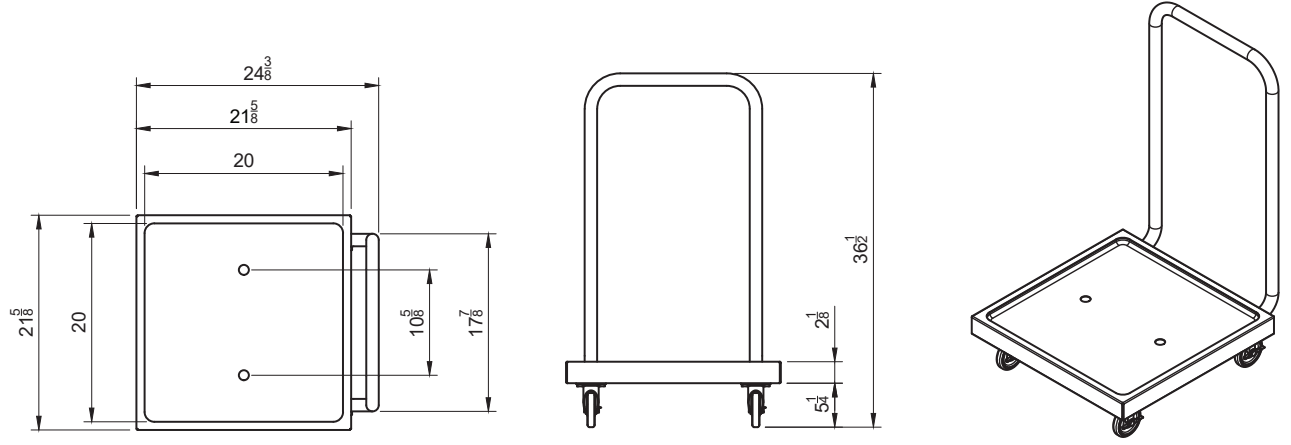
Caster Model



Description Dish Rack Dolly With Handle

The dish rack dolly with handle is built of durable stainless steel. Thanks to its 5-inch heavy-duty, non-marking swivel casters, this dish rack dolly is incredibly maneuverable. Plus, its tubular steel handle provides an extra measure of control. Its one-piece solid pan construction helps protect your clean dishes from dust and dirt particles that can be stirred up by the casters. Plus, this solid design prevents dripping!

Plan View C-PD2020HS



Order No.	Dimensions (in)	Load Capacity (lb)	Caster Height (in)	G. W. (lb)
C-PD2020HS	24-3/8 x 21-5/8 x 36-1/2	200	5	32