

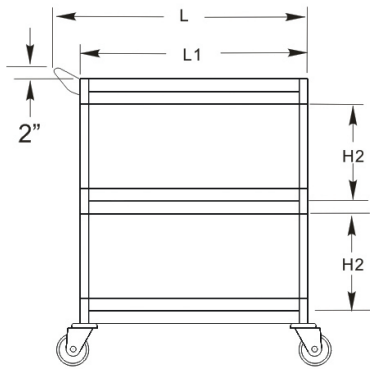


Item No.: _____
Order No.: _____
QTY: _____ Date: _____

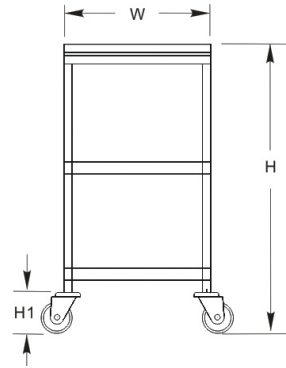
1" TUBULAR UTILITY CARTS



Front



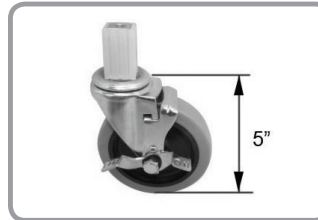
Side



Description:

- All purpose bussing cart
- All stainless steel, 18 gauge
- 13" clearance between shelves
- Shipped knock-down and easy to assemble
- 5" stem casters

Replacement Caster:



KS 5124
(w/ side brake)

Order No.	Overall Dimension (in)				Load Cap. (lbs)	G. W. (lbs)
	W x L x H	L1	H1	H2		
C-31K	15-1/2 x 26-1/2 x 35-1/4	24	5	13	200	33
C-32K	18 x 29-1/2 x 35-1/4	27	5	13	200	38