



Item No.: _____
 Order No.: _____
 Qty: _____ Date: _____

SWIVEL PLATE CASTER WITH BRAKE

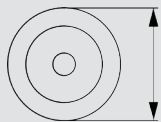
Features

- Swivel design for greater versatility
- Load capacity 150 lbs per caster
- 20 units per case
- Polyurethane wheel

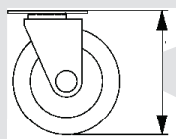
Application:
 GSW Carts/ Other Brands and Kitchen Equipment



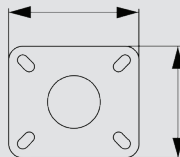
Data Swivel Plate Caster With Brake



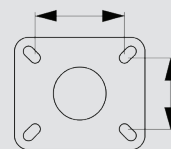
A



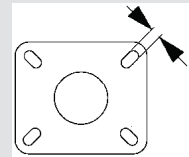
B



C

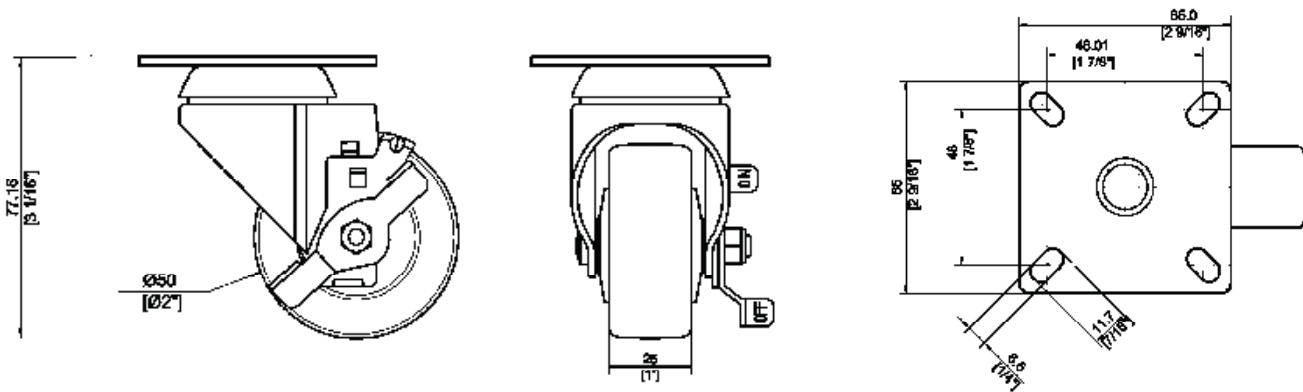


D



E

Plan View KP3114



Order No.	Configuration Data (in)					Wheel Width	Load Cap. (lbs)	G. W. (lbs)	Qty./ case
	A	B	C	D	E				
KP3114	2	3-1/16	2 9/16 x 2-9/16	1-7/8 x 1-7/8	1/4	1	150	28	20