



Item No.: _____
 Order No.: _____
 Qty: _____ Date: _____

HEAVY DUTY GAS STOCK POT RANGE - AESP1-18D24

Features

- Stainless steel, dual wall construction
- Removable, full-width disposal tray
- Heavy-duty cast iron burner covers
- Adjustable front access gas valve handle (**WR-GVH**)
- 6" heavy duty, stainless steel legs
- Gas regulator included
- 18 duck tips jet burners (**WR-JBD18**) with 125,000 BTU/ hr

5" water column on natural gas (NG)
 10" water column on propane gas (LP).

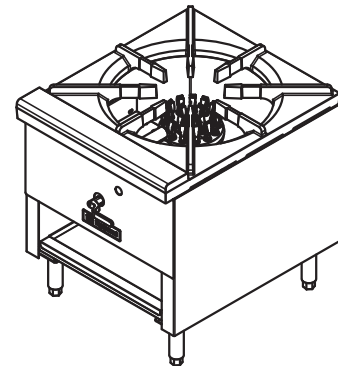
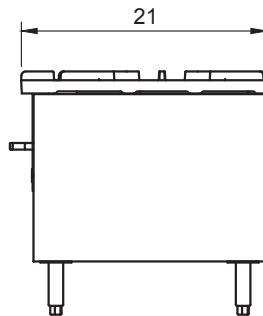
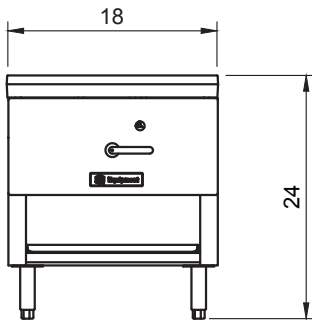


Description Heavy Duty Gas Stock Pot Range

18" wide 24" height, counter top stock pot stove, 125,000 BTU/ hr 18 tips duck jet burner (**WR-JBD18**), heavy duty cast iron burner covers, two gas valve handles (**WR-GVH**), stainless steel dual wall construction design, removable disposal tray, 6" stainless steel legs. Available in natural gas and liquid propane gas models, 3/4" gas inlet.

1 year warranty for part and labor. warranty limit to replacement of equal or better unit.
 Specifications subject to change without notice!

Plan View AESP1-18D24



Order No.	Description	BTU	Inlet	Available Model	G. W. (lb)	Qty.
AESP1-18D24	18" W x 21" D x 24" H, 18 Duck Tips Jet Burners, Stock Pot Stove	90,000	3/4"	NG/ LP	82	1