



Item No.: \_\_\_\_\_  
 Order No.: \_\_\_\_\_  
 Qty: \_\_\_\_\_ Date: \_\_\_\_\_

**HEAVY DUTY GAS STOCK POT RANGE - AESP1-3R18**

**Features**

- Stainless steel, dual wall construction
- Removable, full-width disposal tray
- Heavy-duty cast iron burner covers
- Adjustable front access pilots
- 6" heavy duty, stainless steel legs
- Gas regulator included
- Heavy duty, high performing 3 rings burner

5" water column on natural gas (NG)  
 10" water column on propane gas (LP).

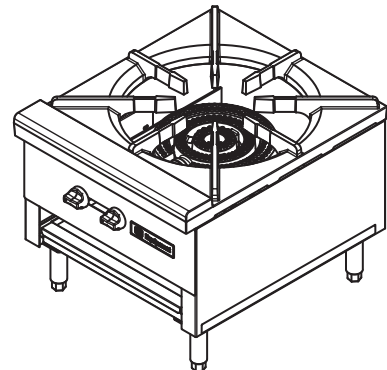
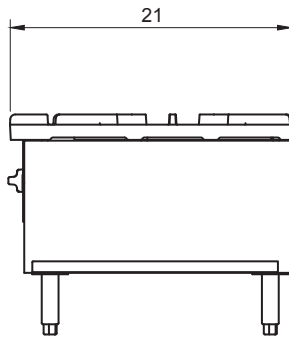
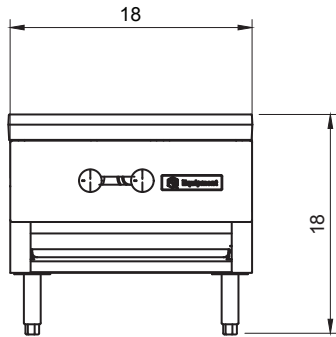


**Description Heavy Duty Gas Stock Pot Range**

18" wide 18" height, counter top stock pot stove, 90,000 BTU/ hr high performance three rings burner (**AESP-3R**), heavy duty cast iron burner covers, two manual controls, stainless steel dual wall construction design, removable disposal tray, 6" stainless steel legs. Available in natural gas and liquid propane gas models, 3/4" gas inlet.

1 year warranty for part and labor. warranty limit to replacement of equal or better unit.  
 Specifications subject to change without notice!

**Plan View AESP1-3R18**



Order No.	Description	BTU	Inlet	Available Model	G. W. (lb)	Qty.
AESP1-3R18	18" W x 21" D x 18" H, 3 Rings Burner (AESP-3R)	90,000	3/4"	NG/ LP	98	1