



Item No.: \_\_\_\_\_  
 Order No.: \_\_\_\_\_  
 Qty: \_\_\_\_\_ Date: \_\_\_\_\_

## HEAVY DUTY COUNTER TOP WOK RANGE

### Features

- Durable stainless steel construction
- Removable, full-width disposal tray
- Anti-clogging jet burner
- Easy to manipulate and maintain
- Adjustable front access gas valve handle (**AESP-KNOB**)
- Continuous pilot for instant ignition
- Gradual slope design to reduce spill overs
- Designed for stir fry and wok application
- Provides 125,000 BTU/ hr

5" water column on natural gas (NG)  
 10" water column on propane gas (LP).



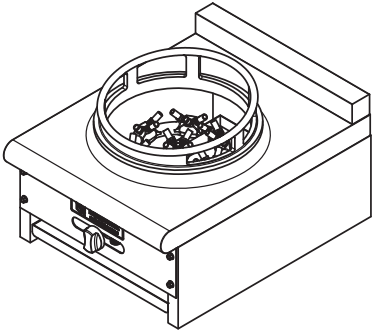
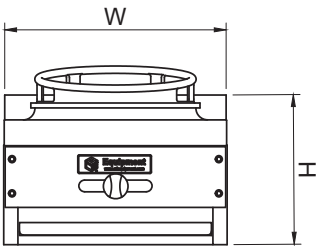
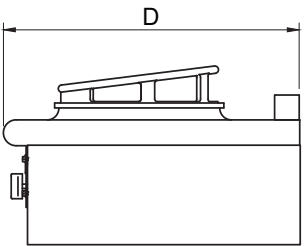
Optional attachments/ accessories available, contact for more information about these items.

### Description **Heavy Duty Counter Top Wok Range**

This heavy duty wok range is made of durable stainless steel, comes with removable disposal tray, easy to clean, space saving, and easy to manipulate and maintain at the same time. The powerful burner provides up to 125,000 BTU/ hr and the continuous pilot ensures your wok range is ready at anytime. Available in natural gas and liquid propane gas models with 3/4" gas inlet.

1 year warranty for part and labor. warranty limit to replacement of equal or better unit.  
 Specifications subject to change without notice!

### Plan View **AEWR-23J10**



Order No.	D x W x H (in)	Burner Style	BTU	Inlet	Available Model	G. W. (lb)	Qty.
AEWR-10J10	24 x 18 x 12	10 Tips Jet Burner	125,000	3/4"	NG/ LP	70	1
AEWR-23J10	30 x 18 x 12	23 Tips Jet Burner	125,000	3/4"	NG/ LP	70	1
AEWR-23J10S	24 x 18 x 12	23 Tips Jet Burner	125,000	3/4"	NG/ LP	70	1
AEWR-2R10S	24 x 18 x 12	2 Rings Burner	35,000	3/4"	NG/ LP	52	1



Item No.: \_\_\_\_\_  
Order No.: \_\_\_\_\_  
Qty: \_\_\_\_\_ Date: \_\_\_\_\_

**HEAVY DUTY FREE STANDING WOK RANGE**

**Features**

- Durable stainless steel construction
- Removable, full-width disposal tray
- Anti-clogging jet burner
- Easy to manipulate and maintain
- Adjustable front access gas valve handle (**WR-GVH**)
- Continuous pilot for instant ignition
- Gradual slope design to reduce spill overs
- Designed for stir fry and wok application
- Provides 125,000 BTU/ hr

5" water column on natural gas (NG)  
10" water column on propane gas (LP).

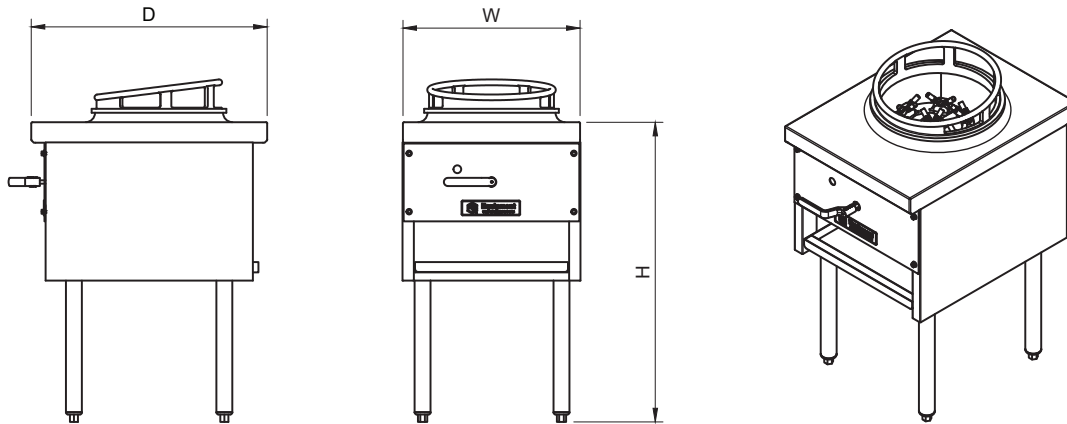


**Description Heavy Duty Free Standing Wok Range**

This heavy duty wok range is made of durable stainless steel, comes with removable disposal tray, easy to clean, space saving, and easy to manipulate and maintain at the same time. The powerful burner provides up to 125,000 BTU/ hr and the continuous pilot ensures your wok range is ready at anytime. Available in natural gas and liquid propane gas models with 3/4" gas inlet.

1 year warranty for part and labor. warranty limit to replacement of equal or better unit.  
Specifications subject to change without notice!

**Plan View AEWR-23J30**



Order No.	D x W x H (in)	Style	Burner Style	BTU	Inlet	Available Model	G. W. (lb)	Qty.
AEWR-18D30	22 x 17-3/4 x 30	Free Standing	18 Tips Duck Burner	100,000	3/4"	NG/ LP	74	1
AEWR-23J30	22 x 17-3/4 x 30	Free Standing	23 Tips Jet Burner	125,000	3/4"	NG/ LP	74	1