



Item No.: _____
 Order No.: _____
 Qty: _____ Date: _____

COUNTER TOP GRIDDLE SERIES

Features

- Durable stainless steel construction
- Gas counter top griddle
- Removable, full-width disposal tray
- Corrosion-resistant and easy to clean
- Easy to manipulate and maintain
- Welded splash guard
- Cool to touch front edge
- Space saving design



5" water column on natural gas (NG)
 10" water column on propane gas (LP).

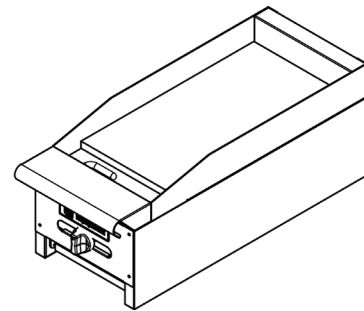
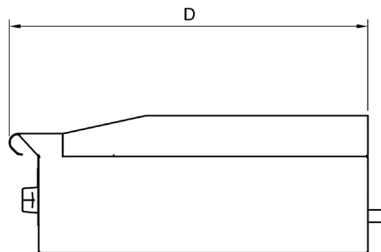
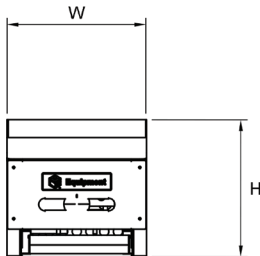
Description Counter Top Griddle Series

Countertop top griddle series come with 7 models with different BTU/ hr, durable stainless steel construction, removable disposal tray. It is designed for easier cleaning, space saving, easy to manipulate and maintain at the same time. Available in natural gas and liquid propane gas models with 3/4" gas inlet.

1 year warranty for part and labor. warranty limit to replacement of equal or better unit.
 Specifications subject to change without notice!

Plan View AEGR-12

Optional attachments/ accessories available, contact for more information about these items.



Order No.	D x W x H (in)	BTU	Inlet	Available Model	G. W. (lb)
AEGR-12	30 x 12 x 10	30,000	3/4"	NG/ LP	100
AEGR-18	30 x 18 x 10	30,000	3/4"	NG/ LP	156
AEGR-24	30 x 24 x 10	60,000	3/4"	NG/ LP	206
AEGR-36	30 x 36 x 10	90,000	3/4"	NG/ LP	266
AEGR-48	30 x 48 x 10	120,000	3/4"	NG/ LP	336
AEGR-60	30 x 60 x 10	150,000	3/4"	NG/ LP	403
AEGR-72	30 x 72 x 10	180,000	3/4"	NG/ LP	508