



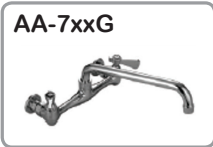
Item No.: _____
 Order No.: _____
 Qty: _____ Date: _____

SOLID DISTABLE - LEFT

Features

- 16 gauge, 304 stainless steel top & bowls
- Table has formed-down lip to fit most standard dishwasher
- 8" wall mounted faucet holes
- Stainless steel legs with cross bracing
- 11-1/2" backsplash, 20" x 20" x 8" sink bowl
- 72" and up models come with 4 legs

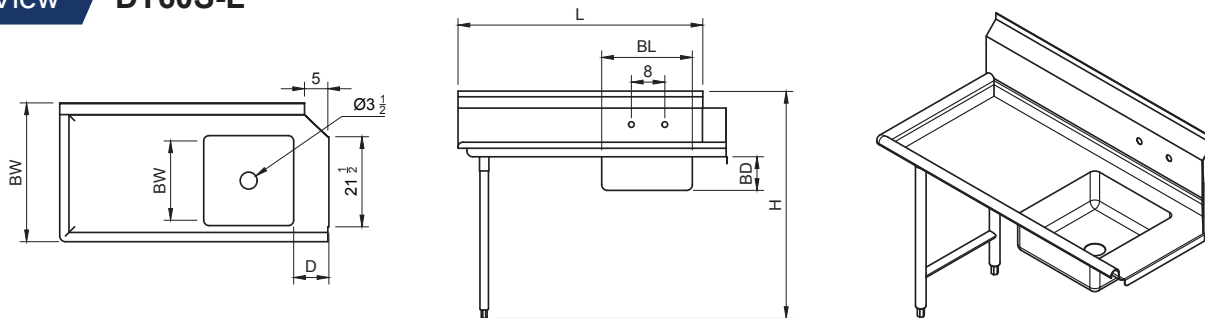
Suggested Accessory:



Description **Solid Distable - Left**

This dish table provides your dishwashing station with an appropriate place to stock your dirty dishes before they go through the wash cycle. It is made from 16 gauge 304-series stainless steel, including the legs and cross bracing. The lip attaches to your dishwasher for seamless transfer of dishes from the table to the unit. Due to this feature, no hardware is required for attachment. Perfect for restaurants, cafes, and hotels!

Plan View **DT60S-L**



Order No.	Gauge	W x L x H	BW	BL	BD	D	G. W. (lbs)
DT24S-L	16	30 x 24 x 45-1/2	20	20	8	1.25	39
DT30S-L	16	30 x 30 x 45-1/2	20	20	8	6	44
DT36S-L	16	30 x 36 x 45-1/2	20	20	8	6	48
DT48S-L	16	30 x 48 x 45-1/2	20	20	8	6	59
DT60S-L	16	30 x 60 x 45-1/2	20	20	8	6	67
DT72S-L	16	30 x 72 x 45-1/2	20	20	8	6	77
DT84S-L	16	30 x 84 x 45-1/2	20	20	8	6	87
DT96S-L	16	30 x 96 x 45-1/2	20	20	8	6	97
DT18243D-L	16	30 x 102-1/4 x 45-1/2	20	20	8	6	125



Item No.: _____
 Order No.: _____
 Qty: _____ Date: _____

SOLID DISTABLE - RIGHT

Features

- 16 gauge, 304 stainless steel top & bowls
- Table has formed-down lip to fit most standard dishwasher
- 8" wall mounted faucet holes
- Stainless steel legs with cross bracing
- 11-1/2" backsplash, 20" x 20" x 8" sink bowl
- 72" and up models come with 4 legs



Suggested Accessory:

AA-7xxG



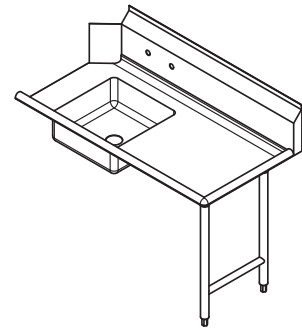
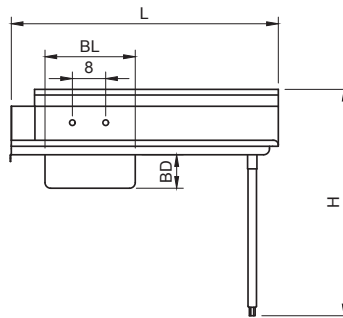
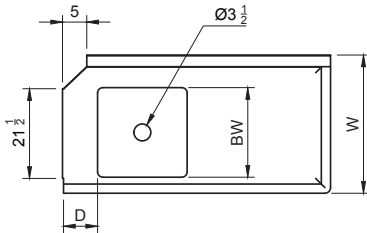
AA-8xxG



Description **Solid Distable - Right**

This dish table provides your dishwashing station with an appropriate place to stock your dirty dishes before they go through the wash cycle. It is made from 16 gauge 304-series stainless steel, including the legs and cross bracing. The lip attaches to your dishwasher for seamless transfer of dishes from the table to the unit. Due to this feature, no hardware is required for attachment. Perfect for restaurants, cafes, and hotels!

Plan View **DT48S-R**



Order No.	Gauge	W x L x H	BW	BL	BD	D	G. W. (lbs)
DT24S-R	16	30 x 24 x 45-1/2	20	20	8	1.25	39
DT30S-R	16	30 x 30 x 45-1/2	20	20	8	6	44
DT36S-R	16	30 x 36 x 45-1/2	20	20	8	6	48
DT48S-R	16	30 x 48 x 45-1/2	20	20	8	6	59
DT60S-R	16	30 x 60 x 45-1/2	20	20	8	6	67
DT72S-R	16	30 x 72 x 45-1/2	20	20	8	6	77
DT84S-R	16	30 x 84 x 45-1/2	20	20	8	6	87
DT96S-R	16	30 x 96 x 45-1/2	20	20	8	6	97
DT18243D-R	16	30 x 102-1/4 x 45-1/2	20	20	8	6	125